

XiO CLOUD SCADA® CANAL GATE CONTROLLER



Control Your Valuable Water Resources

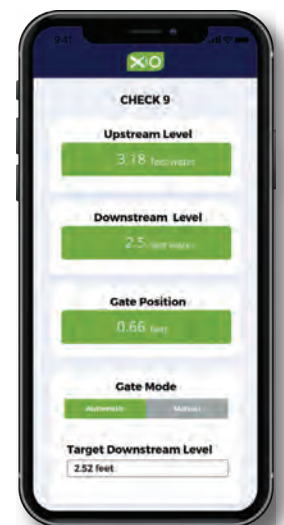
XiO's Canal Gate Controller offers remote control and monitoring of canal gates through a web-based user interface for full-system visibility.

Features

- Automatic, responsive control of canal gates to maintain head, flow, level, gate position, and equipment conditions
- Change gate position and set points remotely
- Calculate flows throughout canal system

Benefits

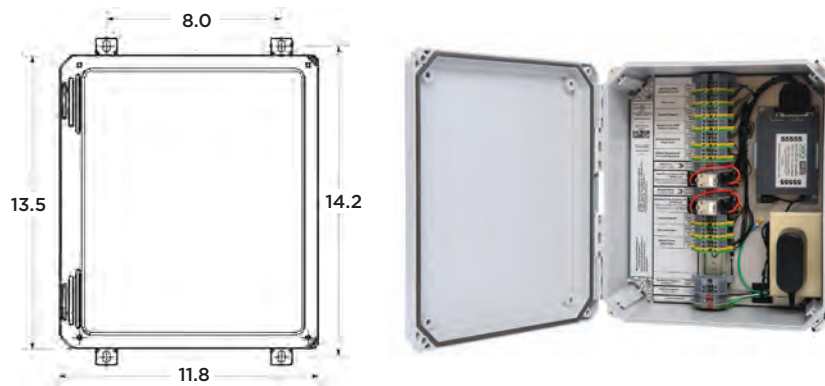
- Pre-configured systems offer easy installation
- Modular systems integrate easily with pumps, valves, tanks, and reservoirs for system-wide visibility
- Cloud architecture bypasses traditional SCADA PLCs and servers, providing enhanced security from cyber threats
- Cloud SCADA® User Interface remains up-to-date at all times — eliminating the high costs of software programming, system integration, support, and upgrades
- Warnings and alarms by SMS text and email provide system visibility
- Local control at all times — regardless of internet connectivity
- Lower cost of ownership compared to traditional SCADA



XiO Canal Gate Controller Specifications

FIELD INSTALLABLE UNIT (FIU) INCLUDED

Dimensions Standard Enclosure (NEMA-4X)	11.97 in H x 9.42 in W x 6.5 in D
Dimensions Panel-Mounted FIU	12.5 in H x 10.5 in W x 7 in D
Dimensions Panel-Mounted FIU/UPS Stack	12.5 in H x 10.5 in W x 9.5 in D
Temperature	0-60 °C ambient temperature
Humidity	5% to 95% non-condensing
Enclosure	Housed in NEMA-4X enclosure (optional)
Reporting Interval	1/min.
General Communication	RJ-45 (Ethernet), internet protocol
I/O General	Configurable (analog IN/OUT, digital IN/OUT)
I/O Count	Up to 20 devices per FIU
Control Circuit Voltage	24 VDC
Analog Signals (Input & Output)	4-20 mA @ 24 VDC, 0-5 V, 0-10 V
Digital Signals (Input & Output)	24 VDC sinking or sourcing. Isolation available.



LEVEL SENSOR INCLUDED

Diameter	1 in
Material	Stainless steel
Pressure Connection	PTFE coated elastomeric diaphragm, non-fouling
Type	Ventless, maintenance free
Electrical Interface	4-20 mA, 2-wire
Supply Voltage	24 VDC
Compensated Temperature Range	0° to 50 °C
Certification	CE, UL, CUL, FM, RoHS
Accuracy	0.25% FS



OPTIONAL: Level Sensor (Radar Upgrade), Uninterruptible Power Supply (UPS)

