

XiO CLOUD SCADA® PUMP CONTROLLER



Protect Equipment While Driving Efficiency

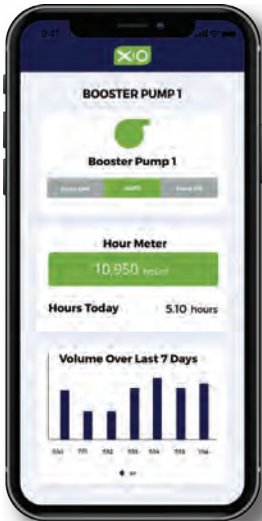
XiO's Pump Controller system combines remote control and monitoring with the industry's most powerful energy optimization schemes, including Dynamic Pump Efficiency Sequencing, time of use scheduling, and automatic demand response programming — saving energy and money.

Features

- Full system visibility — pump run time, pump cycle, and flow rate
- Multiple energy optimization programs via cloud computing
- Predictive maintenance, equipment tracking, and centralized documentation storage
- Usage reports simplify reporting and compliance

Benefits

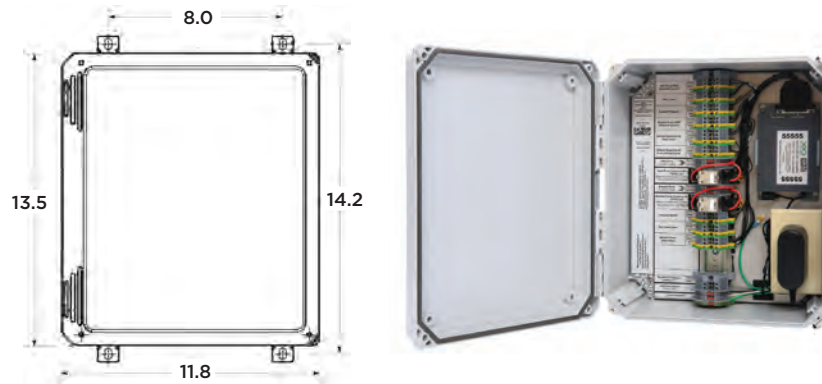
- Pre-configured systems offer easy installation
- Modular systems integrate easily with pumps, valves, tanks, and reservoirs for system-wide visibility
- Cloud architecture bypasses traditional SCADA PLCs and servers, providing enhanced security from cyber threats
- Cloud SCADA® User Interface remains up-to-date without the high costs of programming, system integration, support, and upgrades
- Warnings and alarms by SMS text and email provide system visibility
- Local control at all times — regardless of internet connectivity
- Lower cost of ownership compared to traditional SCADA



XiO Pump Controller Specifications

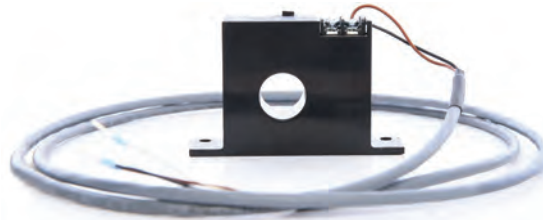
FIELD INSTALLABLE UNIT (FIU) INCLUDED

Dimensions Standard Enclosure (NEMA-4X)	11.97 in H x 9.42 in W x 6.5 in D
Dimensions Panel-Mounted FIU	12.5 in H x 10.5 in W x 7 in D
Dimensions Panel-Mounted FIU/UPS Stack	12.5 in H x 10.5 in W x 9.5 in D
Temperature	0-60 °C ambient temperature
Humidity	5% to 95% non-condensing
Enclosure	Housed in NEMA-4X enclosure (optional)
Reporting Interval	1/min.
General Communication	RJ-45 (Ethernet), internet protocol
I/O General	Configurable (analog IN/OUT, digital IN/OUT)
I/O Count	Up to 20 devices per FIU
Control Circuit Voltage	24 VDC
Analog Signals (Input & Output)	4-20 mA @ 24 VDC, 0-5 V, 0-10 V
Digital Signals (Input & Output)	24 VDC sinking or sourcing. Isolation available.



CURRENT TRANSDUCER INCLUDED

Output Signal	4-20 mA, 2-wire
Accuracy	0.5% FS
Response Time, 0-90%	300 mS
Power	24 VDC loop-powered
Isolation Voltage	UL Listed to 1270 VAC, tested to 5 kV
Input Range	Field-selectable ranges from 0-200 A
Sensing Aperture	0.75" dia.
Environmental	-20° to 50 °C
Approvals	UL, ULC, CE
Cable	10 ft 600 V cable



OPTIONAL: Uninterruptible Power Supply (UPS), Pressure Sensor, VDF Control

sales@xiowater.com
877.946.0101
XiOwater.com



Datasheet-PC-10-2020
© 2020 XiO, Inc
All rights reserved. Specifications are subject to revision without notice.

