

# XiO CLOUD SCADA® TANK CONTROLLER



## Manage Tanks And Reservoirs Remotely

XiO's Tank Controller system includes field equipment and a secure web-based user interface that lets operators easily control, monitor, and manage storage tank and reservoir levels.

### Features

- Real-time water level reporting
- Tiered low tank level alarms
- Easily integrates with pump energy optimization programs
- Secure storage of all historical pumping data

### Benefits

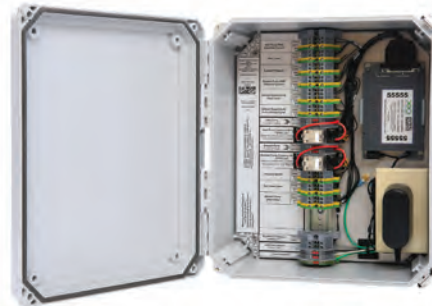
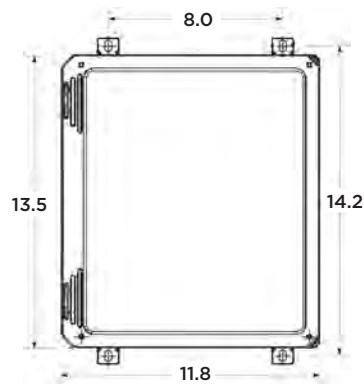
- Pre-configured systems offer easy installation
- Modular systems integrate easily with pumps, valves, tanks, and reservoirs for system-wide visibility
- Cloud architecture bypasses traditional SCADA PLCs and servers, providing enhanced security from cyber threats
- Cloud SCADA® User Interface remains up-to-date at all times — eliminating the high costs of software programming, system integration, support, and upgrades
- Warnings and alarms by SMS text and email provide system visibility
- Local control at all times — regardless of internet connectivity
- Lower cost of ownership compared to traditional SCADA



# XiO Tank Controller Specifications

## FIELD INSTALLABLE UNIT (FIU) INCLUDED

Dimensions Standard Enclosure (NEMA-4X)	11.97 in H x 9.42 in W x 6.5 in D
Dimensions Panel-Mounted FIU	12.5 in H x 10.5 in W x 7 in D
Dimensions Panel-Mounted FIU/UPS Stack	12.5 in H x 10.5 in W x 9.5 in D
Temperature	0-60 °C ambient temperature
Humidity	5% to 95% non-condensing
Enclosure	Housed in NEMA-4X enclosure (optional)
Reporting Interval	1/min.
General Communication	RJ-45 (Ethernet), internet protocol
I/O General	Configurable (analog IN/OUT, digital IN/OUT)
I/O Count	Up to 20 devices per FIU
Control Circuit Voltage	24 VDC
Analog Signals (Input & Output)	4-20 mA @ 24 VDC, 0-5 V, 0-10 V
Digital Signals (Input & Output)	24 VDC sinking or sourcing. Isolation available.



## SUBMERSIBLE LEVEL SENSOR INCLUDED

Diameter	0.98 in
Material	Stainless steel
Pressure Connection	Depth cone (G1/4 female)
Type	Ventless, maintenance free
Electrical Interface	4-20 mA, 2-wire
Supply Voltage	24 VDC
Compensated Temperature	0° to 50° C
Certification	CE, RoHS
Accuracy	+/- 0.04% FS



## EXTERNAL LEVEL SENSOR INCLUDED

Diameter	N/A
Material	Stainless steel (303S22), Ceramics, FPM (Viton)
Pressure Connection	1/4 in NPTA
Type	Ventless, gauge pressure
Electrical Interface	4-20 mA (M12)
Supply Voltage	10-32 VDC
Compensated Temperature	-25° to 80° C
Certification	CE, EAC, UL
Accuracy	+/- 0.35% FS



**OPTIONAL: Uninterruptible Power Supply (UPS), Chlorine Analyzer, pH Sensor, Temperature Sensor**

