

XiO CLOUD SCADA® WELL CONTROLLER



Gain Visibility Into Well Conditions

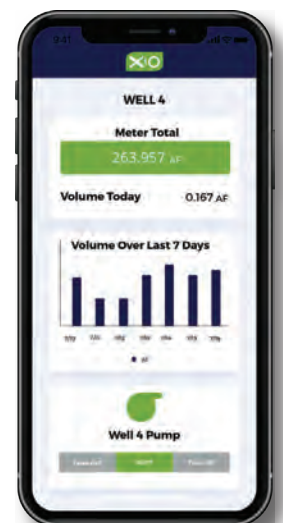
XiO's Well Controller system includes field equipment and a secure web-based user interface that lets operators easily control, monitor, and manage a well from anywhere. Powerful analytics provide insights into well health and simplify reporting to regulatory agencies.

Features

- Water usage reports for compliance with regional agencies
- Real-time well performance and aquifer monitoring
- Secure storage of all historical pumping data
- Easily integrates with pump energy optimization programs

Benefits

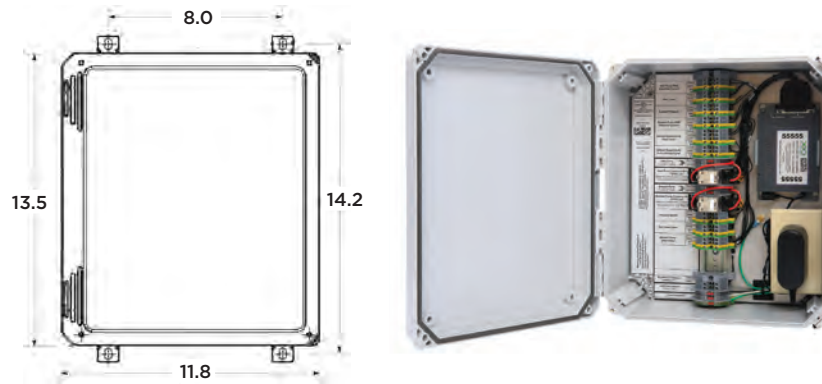
- Pre-configured systems offer easy installation
- Modular systems integrate easily with pumps, valves, tanks, and reservoirs for system-wide visibility
- Cloud architecture bypasses traditional SCADA® PLCs and servers, providing enhanced security from cyber threats
- Cloud SCADA® User Interface remains up-to-date at all times — eliminating the high costs of software programming, system integration, support, and upgrades
- Warnings and alarms by SMS text and email provide system visibility
- Local control at all times — regardless of internet connectivity
- Lower cost of ownership compared to traditional SCADA



XiO Well Controller Specifications

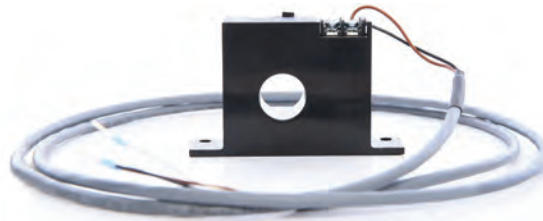
FIELD INSTALLABLE UNIT (FIU) INCLUDED

Dimensions Standard Enclosure (NEMA-4X)	11.97 in H x 9.42 in W x 6.5 in D
Dimensions Panel-Mounted FIU	12.5 in H x 10.5 in W x 7 in D
Dimensions Panel-Mounted FIU/UPS Stack	12.5 in H x 10.5 in W x 9.5 in D
Temperature	0-60 °C ambient temperature
Humidity	5% to 95% non-condensing
Enclosure	Housed in NEMA-4X enclosure (optional)
Reporting Interval	1/min.
General Communication	RJ-45 (Ethernet), internet protocol
I/O General	Configurable (analog IN/OUT, digital IN/OUT)
I/O Count	Up to 20 devices per FIU
Control Circuit Voltage	24 VDC
Analog Signals (Input & Output)	4-20 mA @ 24 VDC, 0-5 V, 0-10 V
Digital Signals (Input & Output)	24 VDC sinking or sourcing. Isolation available.



CURRENT TRANSDUCER INCLUDED

Output Signal	4-20 mA, 2-wire
Accuracy	0.5% FS
Response Time, 0-90%	300 mS
Power	24 VDC loop-powered
Isolation Voltage	UL Listed to 1270 VAC, tested to 5 kV
Input Range	Field-selectable ranges from 0-200 A
Sensing Aperture	0.75" dia.
Environmental	-20° to 50 °C
Approvals	UL, ULC, CE
Cable	10 ft 600 V cable



OPTIONAL: Well Level Sensor, Pressure Transducer, Uninterruptible Power Supply (UPS), Chlorine Injection Control, VFD Control

