

XiO CLOUD SCADA® LIFT STATION CONTROL SYSTEM



Turnkey Solutions For Managing Lift Stations

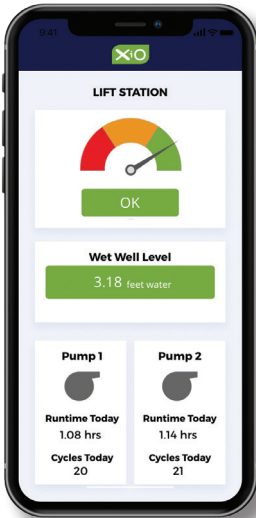
XiO's Lift Station Control System offers remote control and monitoring of lift stations. Each system includes field hardware and a private, secure, web-based user interface. The superior technology is easily scalable through modular configurations and makes true integration easy, thanks to Custom Application Programming Interfaces (APIs).

Features and Benefits

- Real-time monitoring and control helps operators avoid overflows and costly downtime
- Secure cloud architecture provides enhanced security from cyber threats as well as resilience in the event of natural disasters
- SaaS (Software as a Service) model provides lower lifetime capital and operating expenditures compared to traditional SCADA
- Private web-based user portal is accessible from any web-enabled device (mobile, tablet, PC)
- Local control at all times regardless of internet connectivity

Field Equipment

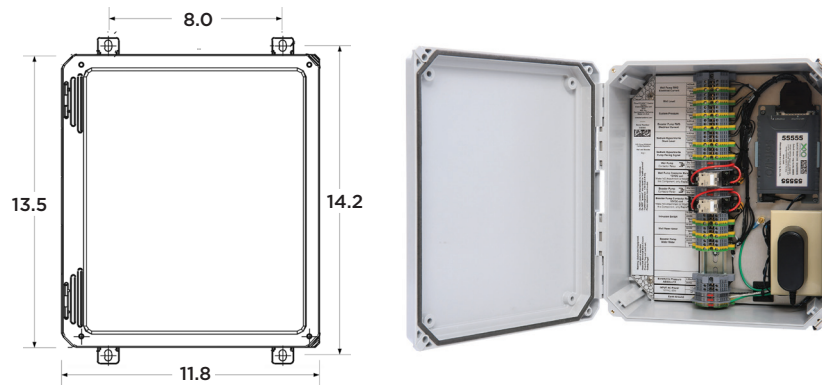
- XiO's Soft I/O Module and NEMA 4x enclosure (or panel mount)
- Cellular modem and NEMA 4x enclosure
- Submersible liquid level sensor
- Two electrical current transducers to monitor pump current draw
- Two discrete outputs to control pumps



XiO Lift Station Control System

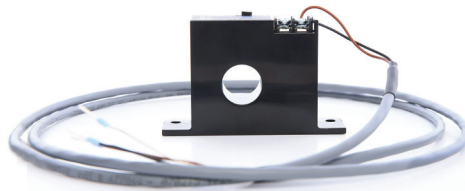
FIELD INSTALLABLE UNIT (FIU) INCLUDED

Dimensions Standard Enclosure (NEMA-4X)	11.97 in H x 9.42 in W x 6.5 in D
Dimensions Panel-Mounted FIU	12.5 in H x 10.5 in W x 7 in D
Dimensions Panel-Mounted FIU/UPS Stack	12.5 in H x 10.5 in W x 9.5 in D
Temperature	0-60 °C ambient temperature
Humidity	5% to 95% non-condensing
Enclosure	Housed in NEMA-4X enclosure (optional)
Reporting Interval	1/min.
General Communication	RJ-45 (Ethernet), internet protocol
I/O General	Analog IN/OUT, digital IN/OUT
I/O Count	3 inputs and 2 outputs (with control)
Control Circuit Voltage	24 VDC
Analog Signals (Input & Output)	4-20 mA @ 24 VDC, 0-5 V, 0-10 V
Digital Signals (Input & Output)	24 VDC sinking or sourcing. Isolation available.



CURRENT TRANSDUCER INCLUDED

Output Signal	4-20 mA, 2-wire
Accuracy	0.5% FS
Response Time, 0-90%	300 mS
Power	24 VDC loop-powered
Isolation Voltage	UL Listed to 1270 VAC, tested to 5 kV
Input Range	Field-selectable ranges from 0-200 A
Sensing Aperture	0.75" dia.
Environmental	-20° to 50 °C
Approvals	UL, ULC, CE
Cable	10 ft 600 V cable



LEVEL SENSOR INCLUDED

Diameter	1.2 in
Material	Titanium
Pressure Connection	PTFE coated elastomeric diaphragm, non-fouling
Type	Ventless, maintenance free
Electrical Interface	4-20 mA, 2-wire
Supply Voltage	24 VDC
Compensated Temperature	0° to 50° C
Certification	CE, UL, CUL, FM, RoHS
Accuracy	0.25% FS

UNINTERRUPTED POWER SUPPLY (UPS) NOT INCLUDED

Dimensions Enclosure	11.97 in H x 9.42 in W x 6.5 in D
Dimensions Panel-Mounted	12.5 in H x 10.5 in W x 5.25 in D
Power Requirements	120 VAC, 50/60 Hz, 50 W
Battery	Replaceable, 18 Ah
Battery Life	4 hours

